

Lift systems



- ▶ AVENTOS HS – up and over lift system
- ▶▶ Standard | SERVO-DRIVE

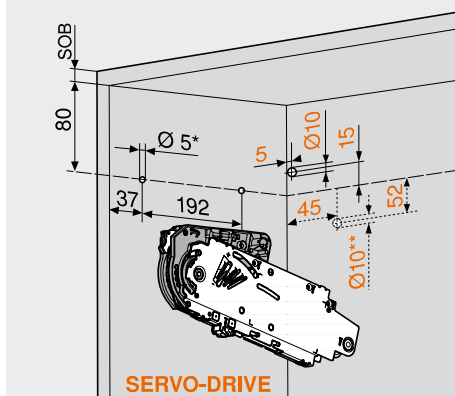
Wooden fronts, wide and narrow alu frames

Webcode

DQDADA

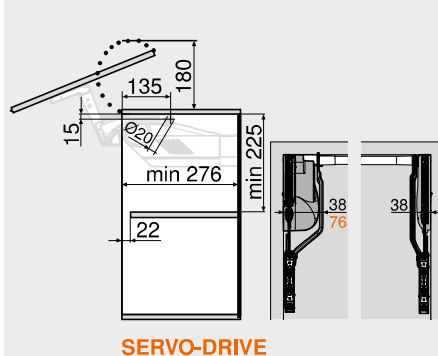
Planning

Drilling position

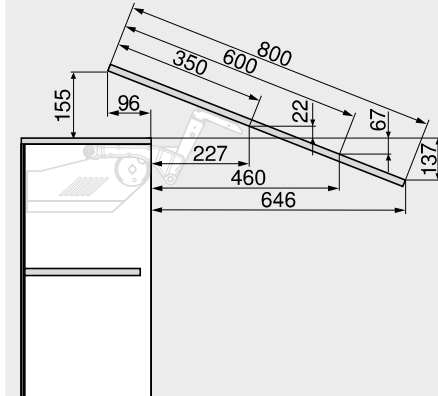


- 5 x chipboard screws $\varnothing 4 \times 35$ mm
 Drilling for SERVO-DRIVE distribution cable, left only
 SOB Top panel thickness
 * Drilling depth 5 mm
 ** Alternative drilling

Space requirement

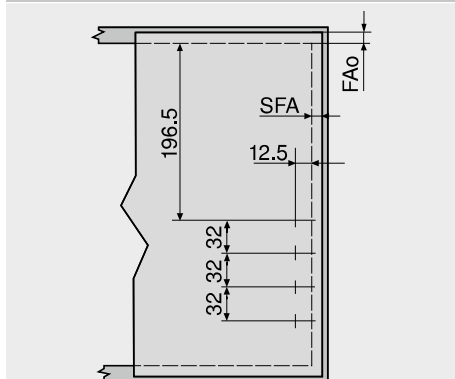


SERVO-DRIVE



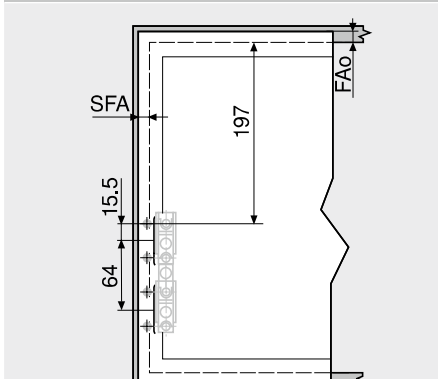
Dimensions depend on tilt adjustment

Front assembly – wooden fronts and wide alu frames



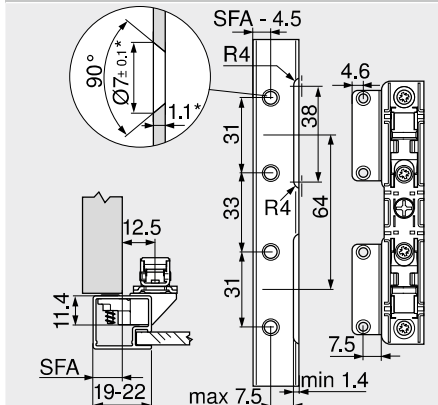
- Use 4 chipboard screws (609.1x00) for wooden fronts
 Use 4 counter sunk self tapping screws (660.0950) for wide alu frames
 FAo Upper front overlay
 SFA Front overlay of the side panel
 Wall application: min. gap required 5 mm

Front assembly – narrow alu frames



- FAo Upper front overlay
 SFA Front overlay of the side panel
 Wall application: min. gap required 5 mm

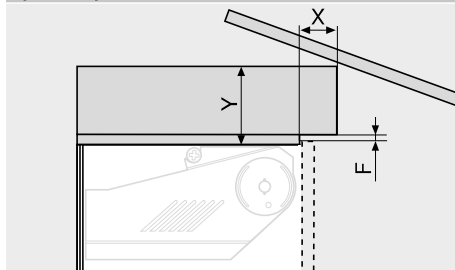
Narrow alu frames



For frame width 19 mm, a side front overlay SFA of 11–18 mm is possible

- * When changing material thickness, adjust the assembly dimensions accordingly

Space requirement – cornice | crown



Gap F (mm)	X max. (mm)	Y max. (mm)
3.0	35	101
2.0	31	101
1.5	28	101

Connecting piece

